

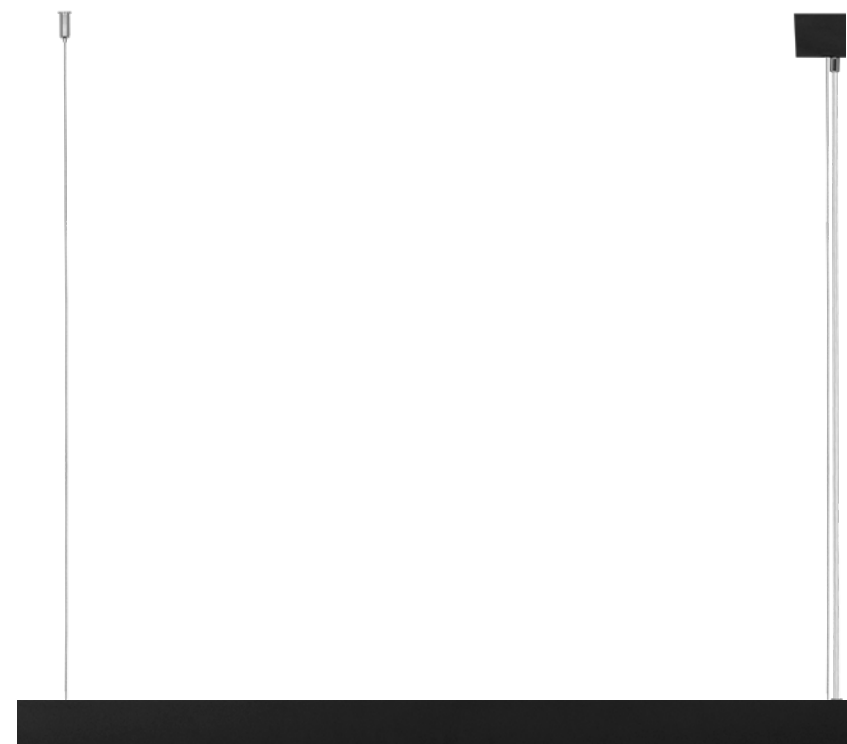


## Baris LED



DESIGN: Michał Jaraczewski / MANUFACTURED IN: Poland

The Baris family consists of luminaires of classic proportions and modern design. These are multi-purpose luminaires characterised by high aesthetics and excellent lighting parameters. Their orderly design will fit perfectly into any minimalistic space.





## — Design

Baris is a modern luminaire. Only its rectangular form is classic and it fits into any interior.

I wanted innovation. I wanted Designers to reach for this luminaire eagerly and return to it in subsequent investments. A lot is happening here. You can order a five-meter luminaire made of one piece of aluminium, or adjust its length every 14 cm. Mount it on the surface, hang it or hide it in the ceiling. Choose any colour of light and opt for different optics. And with this luminaire, this is just the beginning.

Baris is a modular luminaire which, like an application, will change thanks to its customers.

Michał Jaraczewski / Designer

v a

l u

e s

01 / 04 — **Passion and professionalism**

Our company was born out of fascination with light. For 32 years of running our business, we have gained knowledge and competences, thanks to which we can design and manufacture even the most complex lighting systems.

02 / 04 — **Inspiration and design**

We make sure that our products are distinguished not only by the best parameters, but also by unique design. We believe that the space that surrounds us has a real impact on our well-being. We create our products having the above in mind.

03 / 04 — **Innovation and development**

We offer technologically advanced solutions. We constantly invest in the development of our research centre and state-of-the-art production lines. We develop dynamically with the advancement of technology.

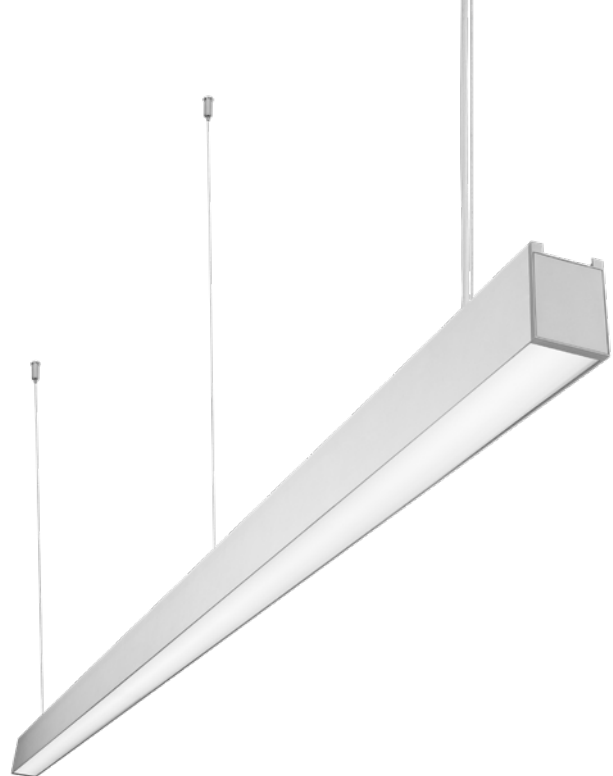
04 / 04 — **Sustainable development**

We have placed environmental management at the heart of our business, implementing a system that minimises any negative impact on the natural environment. We are ISO 14001 certified.

Baris 52 LED  
Baris 52 LED Single

Suspended version





### Suspended version

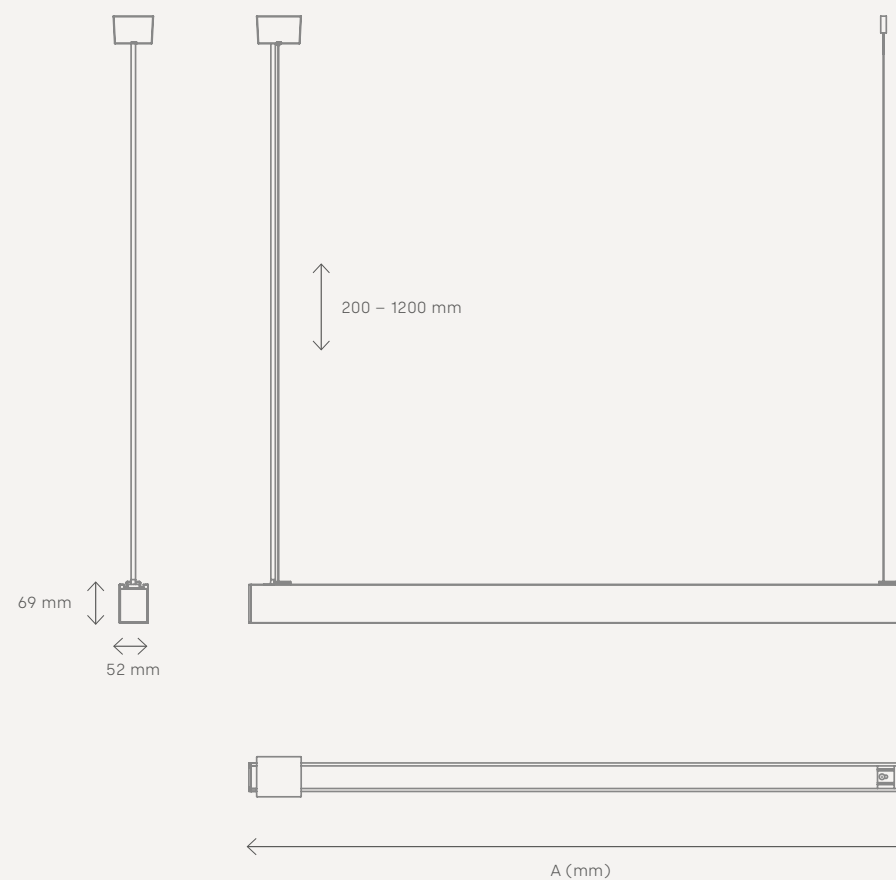
Meet the intelligent and energy-efficient luminaire, which will help you make imaginative lighting arrangements in offices and representative rooms. Its cutting-edge design will allow you to create light lines up to 6 meters long with no need to join the profile and the diffuser. The Baris 52 LED family of luminaires is also equipped with a unique suspension system that facilitates the installation of the luminaire and the adjustment of the slings. They will illuminate both elegant, large rooms, as well as public spaces, wide halls and passageways.

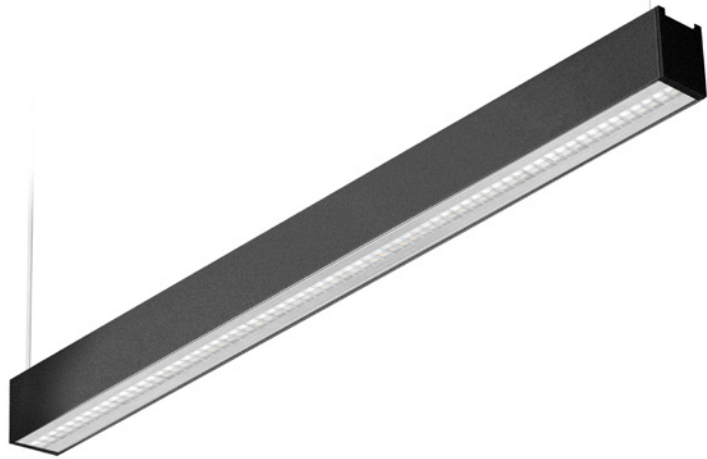
- Design developed by our own R&D department.
- Polish production and branded components.
- Body colour: white, black, grey, any RAL colour.
- Diffuser type: OPAL, UGR MATTE, PRM.
- Luminous efficacy of up to 129 lm/W.
- Power range from 14 to 84 W.
- The maximum luminous flux is 9600 lm.
- Colour temperature: 3000K, 4000K.
- Length of a single A module: 1143 – 5623 mm.
- Versions with DIMM-DALI control available.
- Colour rendering index (Ra) >80, >90.

## Baris 52 LED

# 6 metres

of a light line without visible connections  
to the diffuser



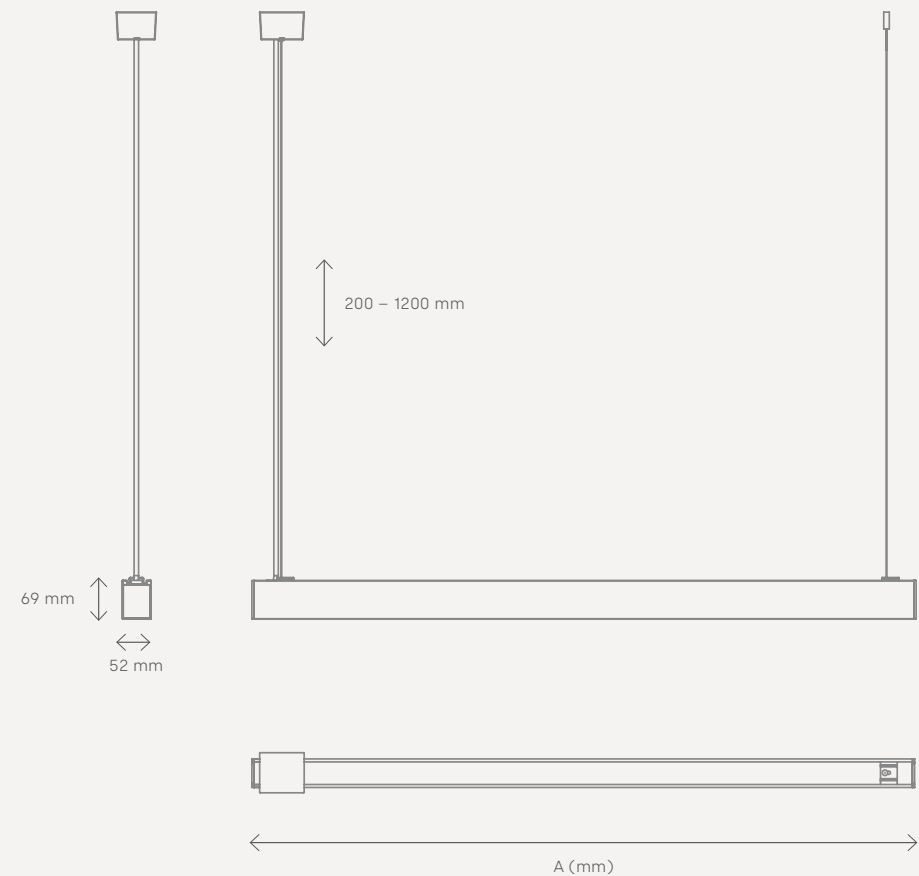


#### Suspended version with indirect light option

The suspended version of Baris 52 Led luminaire is another representative of the modern line of products distinguished by energy efficiency, functionality, aesthetics and design. With three luminaire lengths and suspension length adjustment you can create various lighting arrangements. In addition, the so-called direct/indirect version of the luminaire can shine both up and down, gently illuminating the ceiling. This functionality allows you to play with light and create a specific mood in the room to an even greater extent.

- Design developed by our own R&D department.
- Polish production and branded components.
- Body colour: white, black, grey, any RAL colour.
- Diffuser type: OPAL, PRM.
- Luminous efficacy of up to 115 lm/W.
- Power range from 35 to 88 W.
- The maximum luminous flux is 9900 lm.
- Colour temperature: 3000K, 4000K.
- Length of a single A module: 1143, 1423, 2263 mm.
- Versions with DIMM-DALI control available.
- Colour rendering index (Ra) >80, >90.

### Baris 52 LED Single

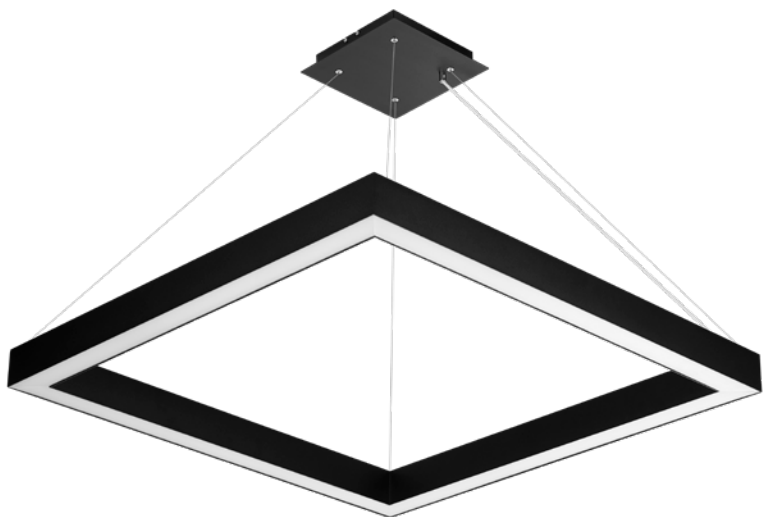


Baris Square 40 LED  
Baris Square 52 LED

Suspended version





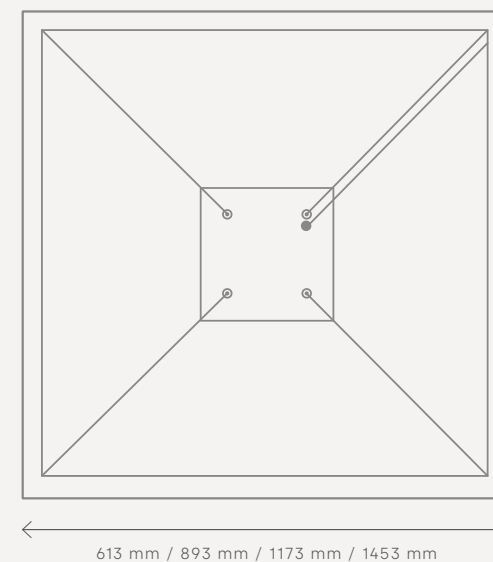
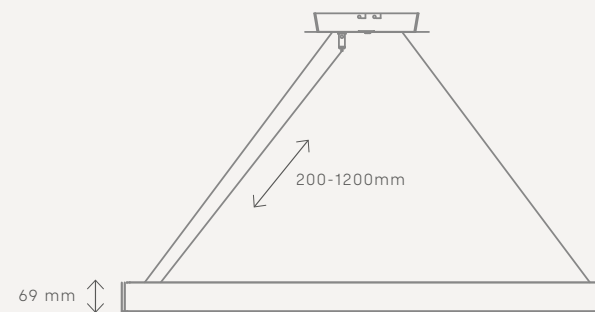


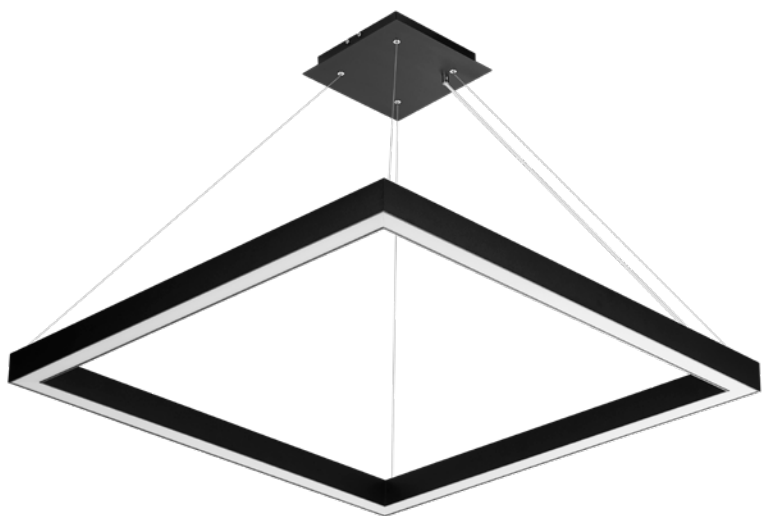
#### Suspended version

Modern design, extensive design possibilities and energy efficiency - these are the features of the new Baris Square 52 LED lamp. The luminaire's classic square shape is distinguished by its high luminous efficiency and four available sizes, which allows for interesting ceiling compositions. The lamp perfectly fits into spaces maintained in a modern style. It will prove its worth as the main source of light in hotel rooms, restaurants, conference halls and also in modern office buildings.

- Design developed by our own R&D department.
- Polish production and branded components.
- Body colour: white, black, grey, any RAL colour.
- Luminous efficacy of up to 114 lm/W.
- Power range from 32 to 145 W.
- The maximum luminous flux is 15100 lm.
- Colour temperature: 3000K, 4000K.
- Diffuser type: OPAL, CLEAR.
- Versions with DIMM-DALI control available.
- Colour rendering index (Ra) >80.

### Baris Square 52 LED



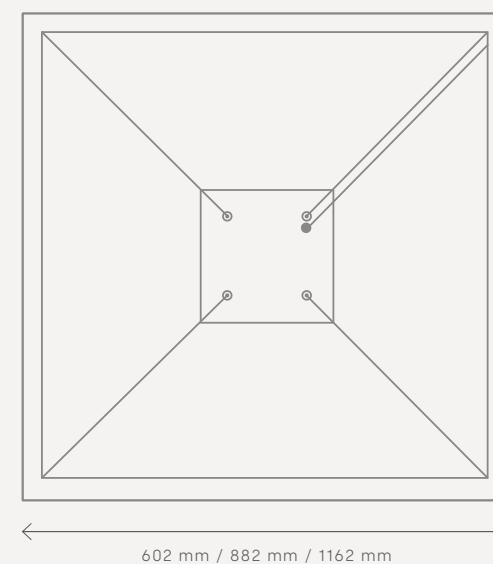
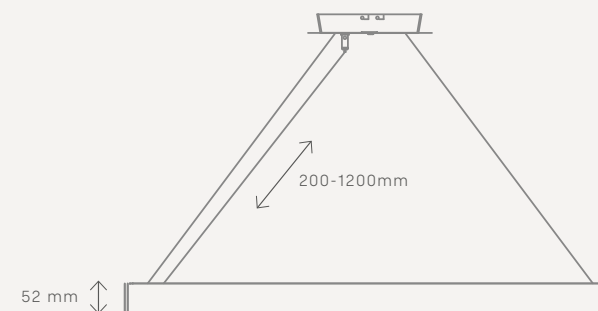


#### Suspended version

Baris Square 40 Led is a striking pendant lamp. Its classic shape fits perfectly into modern design. The lamp body is made of anodized aluminum profile in gray or aluminum profile painted in white or black (other colors available on request). The lamp is offered with two types of lampshade - prismatic or milky. The availability of the lamp in three sizes allows you to design the distribution of lighting in an individually tailored way. Lamps of different sizes and hung at different lengths can create an unlimited number of lighting compositions in the room.

- Design developed by our own R&D department.
- Polish production and branded components.
- Body colour: white, black, grey, any RAL colour.
- Luminous efficacy of up to 110 lm/W.
- Power range from 32 to 116 W.
- The maximum luminous flux is 11700 lm.
- Colour temperature: 3000K, 4000K.
- Diffuser type: OPAL, CLEAR.
- Colour rendering index (Ra) >80.

### Baris Square 40 LED



Baris 52 LED  
Baris 52 LED Single

Surface-mounted version





#### Surface-mounted version

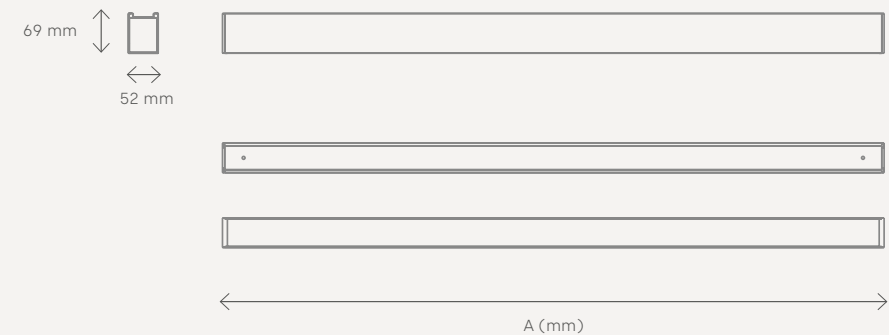
Modern, classic design combined with innovative solutions. This is Baris 52 LED – an intelligent, energy-efficient luminaire dedicated to offices and representative rooms. The cutting-edge design of the luminaire allows you to create light lines up to 6 meters long with no need to join the profile and the diffuser. Thanks to cooperation with control systems, it can optimise the level and amount of supplied light. Baris 52 LED luminaires are available in grey, white or black.

- Design developed by our own R&D department.
- Polish production and branded components.
- Body colour: white, black, grey, any RAL colour.
- Diffuser type: OPAL, UGR MATTE, PRM.
- Luminous efficacy of up to 129 lm/W.
- Power range from 14 to 84 W.
- The maximum luminous flux is 9600 lm.
- Colour temperature: 3000K, 4000K.
- Length of a single A module: 1143 – 5623 mm.
- Versions with DIMM-DALI control available.
- Colour rendering index (Ra) >80, >90.

## Baris 52 LED

# 6 metres

of a light line without visible connections  
to the diffuser



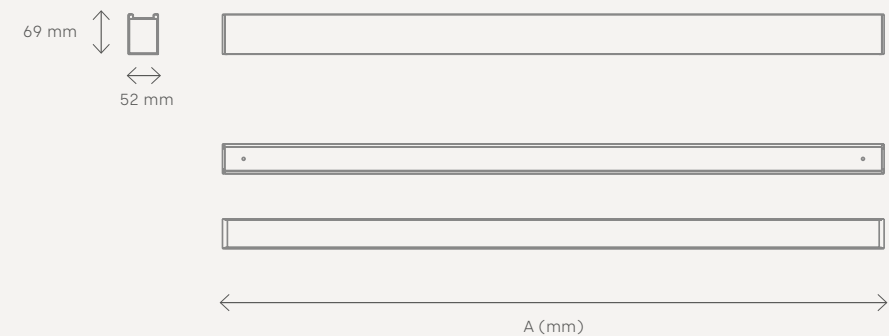


#### Surface-mounted version

Baris 52 Single is another luminaire representing the Baris 52 line. It is a single luminaire with the design consistent with other products of the Baris 52 Led family – however, it is not intended to create lines, but offered in four lengths. Its form and aesthetics match the arrangement of modern representative and office rooms. The luminaire profile has been adapted to work with smart IoT modules, which additionally optimises the level and amount of provided light. Its ingress protection allows it to be used in rooms of high humidity and dustiness.

- Design developed by our own R&D department.
- Polish production and branded components.
- Body colour: white, black, grey, any RAL colour.
- Diffuser type: OPAL, UGR, PRM.
- Luminous efficacy of up to 122 lm/W.
- Power range from 9 to 66 W.
- The maximum luminous flux is 6800 lm.
- Colour temperature: 3000K, 4000K.
- Length of a single A module: 583, 1143, 1423, 2263 mm.
- Versions with DIMM-DALI control available.
- Colour rendering index (Ra) >80.

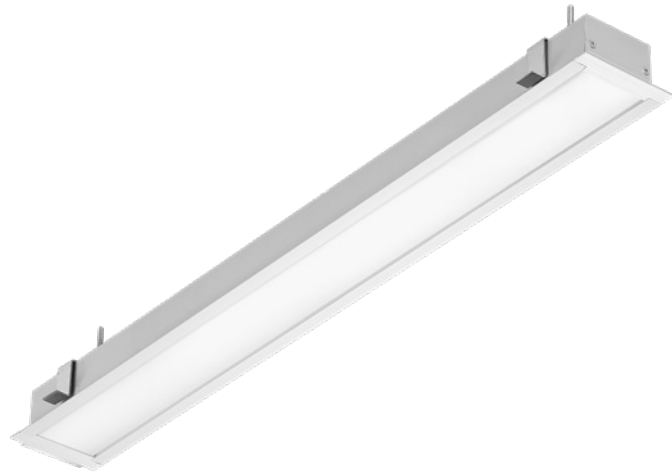
### Baris 52 LED Single



# Baris 52 LED

Flush-mounted version



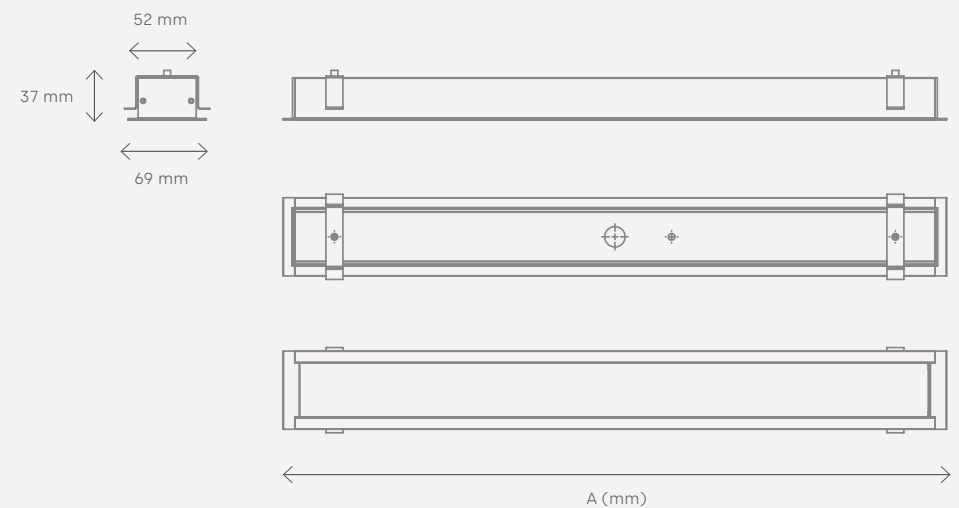


#### Flush-mounted version

This version of the luminaire is dedicated for installation in plasterboard ceilings. It is characterised by a well-thought-out design featuring a number of solutions that make the installation easier. Compatibility with control systems, uniform light distribution on the diffuser, reduced glare effect and high IP 44 ingress protection make it suitable for many places, although it is especially dedicated to representative rooms and offices.

- Design developed by our own R&D department.
- Polish production and branded components.
- Body colour: white, black, grey, any RAL colour.
- Diffuser type: OPAL, UGR MATTE, PRM.
- Luminous efficacy of up to 107 lm/W.
- Power range from 9 to 64 W.
- The maximum luminous flux is 6900 lm.
- Colour temperature: 4000K, 3000K
- Length of a single A module: 586 – 2265 mm.
- Versions with DIMM-DALI control available.
- Colour rendering index (Ra) >80, >90.
- No glare effect: UGR <19

Baris 52 LED



# Baris 52 LED

Flush-mounted version





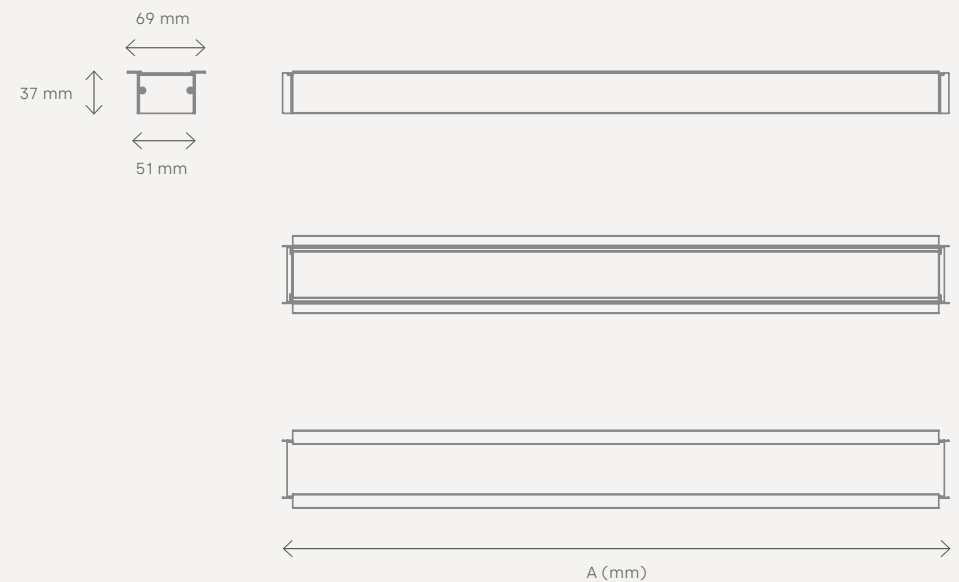


#### Flush-mounted version for modular ceilings

This luminaire version is designed for flush mounting in modular ceilings. Its lighting parameters are favourable for work that requires eyesight concentration. Thus, it will work well in any office (but not only). It is also capable of providing an appropriate level of lighting in communication routes, classrooms and conference rooms. Its oblong shape, consistent with other the luminaires from the Baris 52 LED line, is an interesting substitute for standard coffers, installed in modular ceilings most often.

- Design developed by our own R&D department.
- Polish production and branded components.
- Body colour: white, black, grey, any RAL colour.
- Diffuser type: OPAL, PRM.
- Luminous efficacy of up to 92 lm/W.
- Power range from 9 to 45 W.
- The maximum luminous flux is 4500 lm.
- Colour temperature: 3000K, 4000K.
- Length of a single A module: 593, 1193, 1793 mm.
- Versions with DIMM-DALI control available.
- Colour rendering index (Ra) >80.

Baris 52 LED



# Baris 52 LED

L / T / X / V connector system



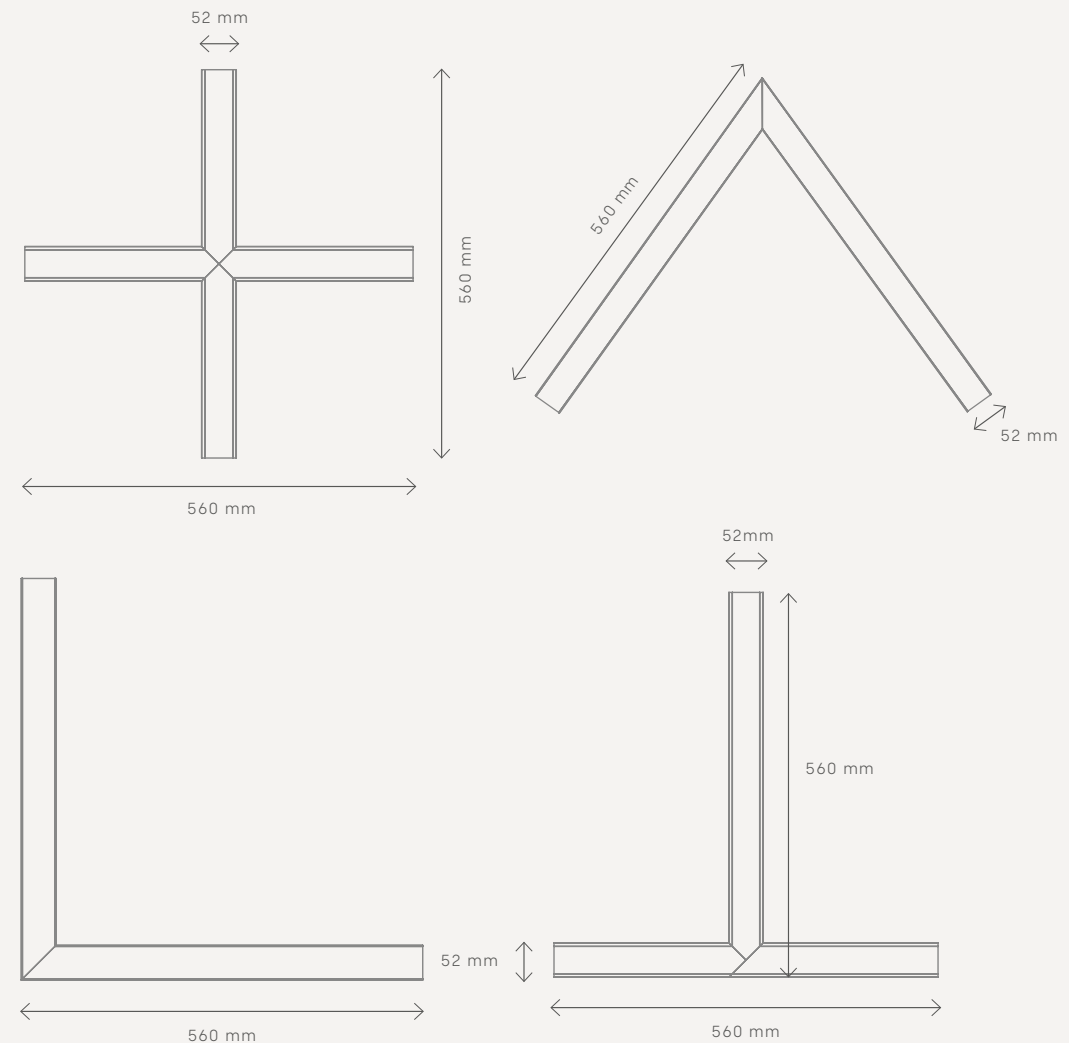


### — L / T / X / V connector system

The innovative design of Baris 52 LED luminaires allows you to create light lines up to 6 meters long with no need to join the profile and the diffuser. The connectors and luminous L, T, X, V-shaped bends allow you to create virtually unlimited sequences of straight lines, figures and patterns. Let your imagination run wild – let yourself create the most daring and original architectural lighting.

- Design developed by our own R&D department.
- Polish production and branded components.
- Body colour: white, black, grey, any RAL colour.
- Luminous efficacy of up to 126 lm/W.
- Power range from 13 (T) to 17 W (L, X, V).
- The maximum luminous flux is 2100 lm.
- Colour temperature: 4000 K.
- Versions with DIMM-DALI control available.
- Colour rendering index (Ra) >80, >90.

## Baris 52 LED



# Baris 40 LED

Surface-mounted version



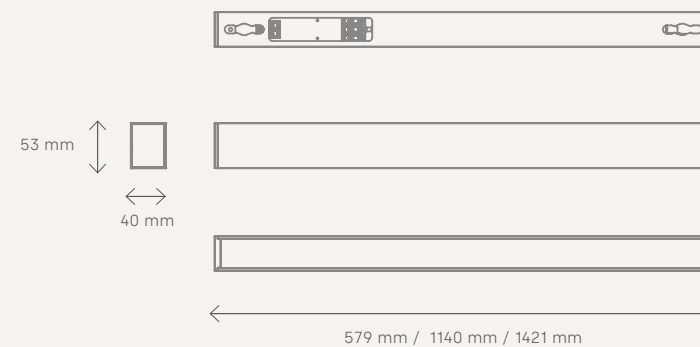


#### Surface-mounted version

The Baris 40 LED luminaire with a slim profile is available in three colours: white, black and grey. It is dedicated to the arrangement of representative and office rooms. The opal cover used in the luminaire ensures uniform light distribution on the diffuser, which has a significant impact on the sense of comfort and well-being. Thanks to the use of the UGR louvre, it was also possible to reduce the so-called glare effect. The DALI control version of the luminaire is ideally suited to offices in modern A+ class buildings.

- Design developed by our own R&D department.
- Polish production and branded components.
- Body colour: white, black, grey, any RAL colour.
- Luminous efficacy of up to 131 lm/W.
- Power range from 16 to 50 W.
- The maximum luminous flux is 5900 lm.
- Colour temperature: 3000K, 4000K.
- Diffuser type: OPAL, PRM.
- Versions with DIMM-DALI control available.
- Colour rendering index (Ra) >80.
- No glare effect: UGR <19

### Baris 40 LED



# Baris 40 LED

Suspended version



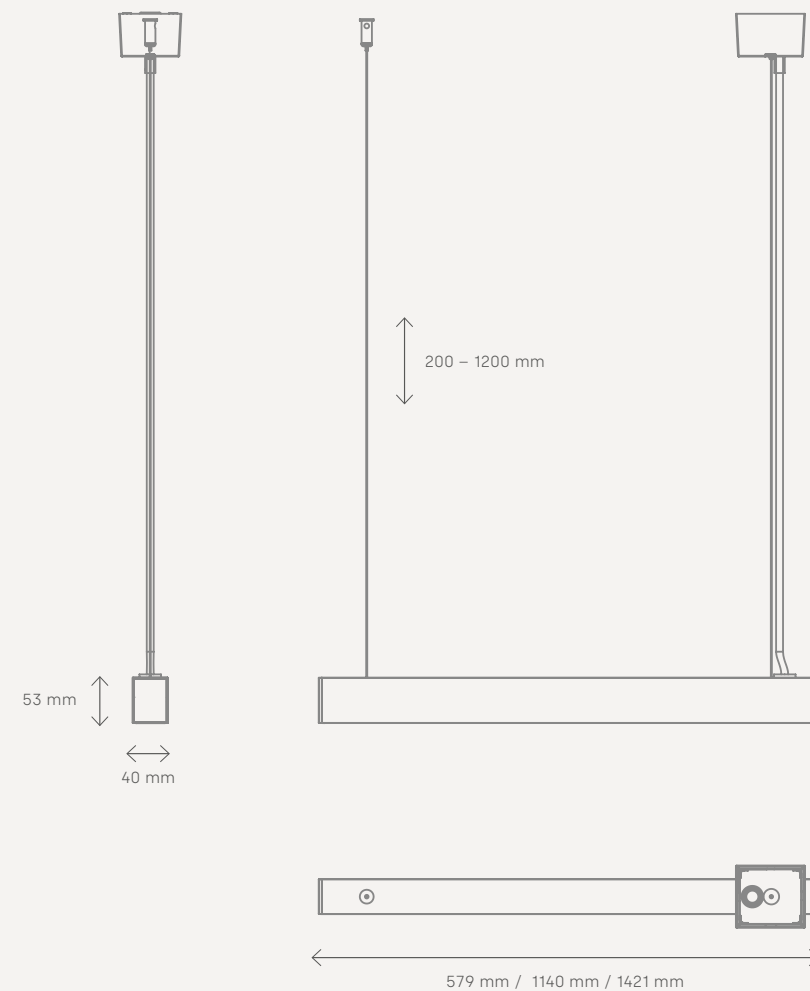


### Suspended version

Design and excellent lighting parameters are the main characteristics of the Baris 40 Led family of luminaires. As in the case of the surface-mounted version, the suspended version is distinguished by a slim profile, available in three colours as standard, and the highest aesthetics of workmanship. In addition, this luminaire is equipped with a unique suspension system that facilitates its assembly and the adjustment of slings. All this makes it a perfect match for representative and office rooms.

- Design developed by our own R&D department.
- Polish production and branded components.
- Body colour: white, black, grey, any RAL colour.
- Luminous efficacy of up to 131 lm/W.
- Power range from 16 to 50 W.
- The maximum luminous flux is 5900 lm.
- Colour temperature: 3000K, 4000K.
- Diffuser type: OPAL, PRM.
- Versions with DIMM-DALI control available.
- Colour rendering index (Ra) >80.
- No glare effect: UGR <19.

Baris 40 LED



# Baris 40 LED UGR

Suspended and surface-mounted version





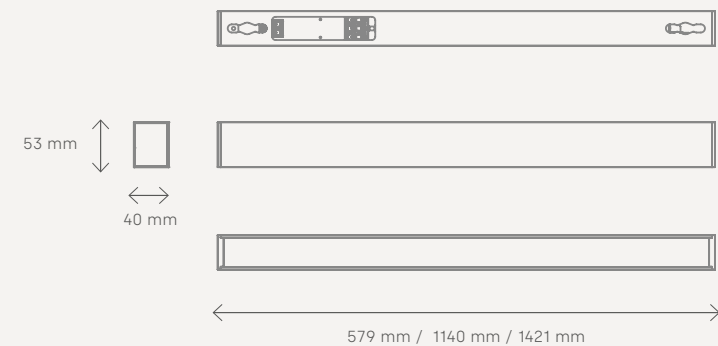


#### Suspended and surface-mounted version

The Baris 40 LED UGR luminaire was created with your eyesight and the best working conditions in mind. It has been designed to ensure maximum comfort and efficiency of precision work and work carried out under artificial light. The UGR (Unified Glare Rating) value below 19 minimises the glare effect, increasing people's well-being and reducing their fatigue and the number of errors they make.

- Design developed by our own R&D department.
- Polish production and branded components.
- Body colour: white, black, grey, any RAL colour.
- Luminous efficacy of up to 126 lm/W.
- Power range from 19 to 44 W.
- The maximum luminous flux is 5100 lm.
- Colour temperature: 3000K, 4000K.
- Diffuser type: PRM (up/down).
- Mounting method: suspended, surface mounting.
- Versions with DIMM-DALI control available.
- No glare effect: UGR <19.

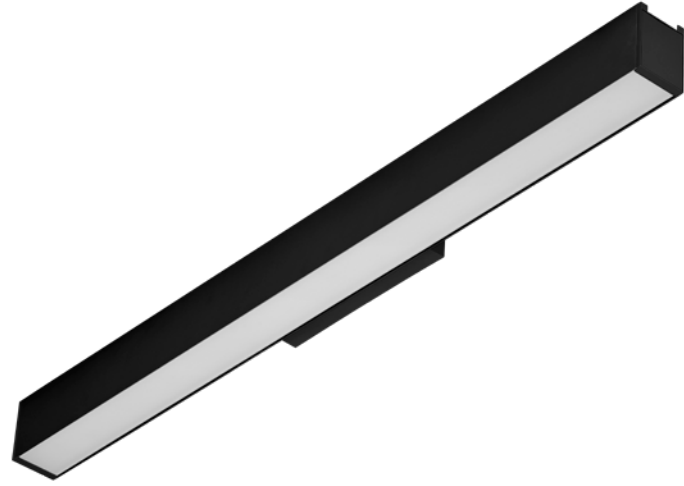
#### Baris 40 LED UGR



Baris 40 LED  
Baris 52 LED

Wall lamp





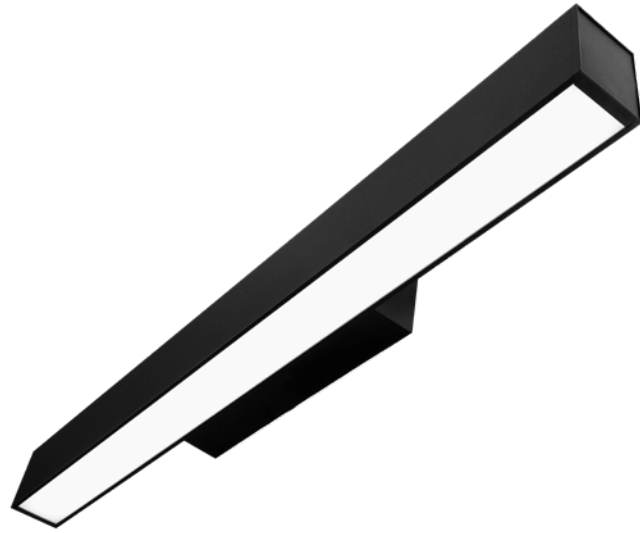
## Wall lamp

Baris 52 Led wall lamp is characterised by modern design and is intended for wall installation to illuminate passageways, sanitary rooms and bathrooms as well as private apartments and hotel rooms. Baris 52 LED wall lamp is a perfect solution for highlighting paintings, posters or other works. The lamp is available in two optical versions: with an opal diffuser providing soft light and its even distribution on the diffuser, or with a prism cover that reduces glare and is characterised by greater light transmittance. The offered DIR/IND versions provide bi-directional light distribution (up and down) in the 65/35 ratio.

- Design developed by our own R&D department.
- Polish production and branded components.
- Body colour: white, black, grey, any RAL colour.
- Diffuser type: OPAL, PRM.
- Luminous efficacy of up to 117 lm/W.
- Power range from 13 to 39 W.
- The maximum luminous flux is 4450 lm.
- Colour temperature: 3000K, 4000K.
- Versions with DIMM-DALI control available.
- Colour rendering index (Ra) >80.

## BARIS 52 LED wall lamp



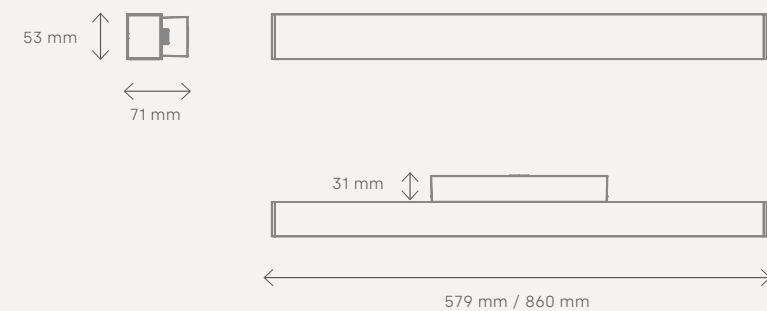


## Wall lamp

Design consistency in different rooms of the same building is one of the designer's visions. The Baris 40 line includes a wall lamp that provides discreet, accent lighting of the surface. When creating it, the designers focused on classic design, high quality and aesthetics of workmanship. The luminaire is also suitable for illuminating communication routes, sanitary rooms and bathrooms where higher ingress protection (IP44) is required.

- Design developed by our own R&D department.
- Polish production and branded components.
- Body colour: white, black, grey, any RAL colour.
- Luminous efficacy of up to 103 lm/W.
- Power range from 15 to 16 W.
- The maximum luminous flux is 1700 lm.
- Colour temperature: 3000K, 4000K.
- Diffuser type: OPAL, PRM.
- Versions with DIMM-DALI control available.
- Colour rendering index (Ra) >80.

## BARIS 40 LED wall lamp





## It really matters

We make our products according to the highest environmental standards.

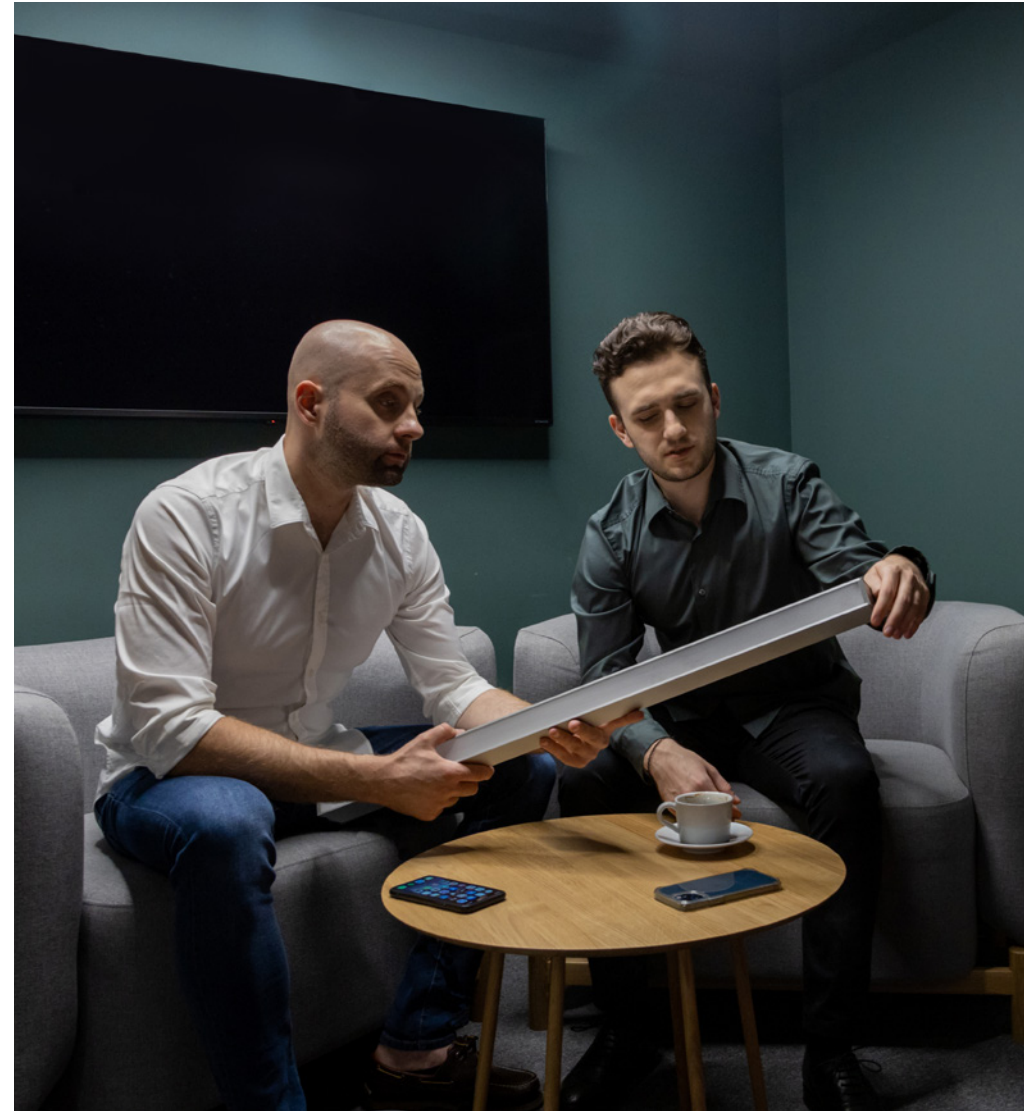


Being aware of the importance of environmental protection behaviours and future generations inspires us to put maximum effort into offering the highest quality, energy-efficient products; and to make sure that the entire process and technology of their production do not have a negative impact on the ecosystem.

Our efforts and their effectiveness have been confirmed by the ISO 14001 certificate. This means that Lena Lighting has successfully implemented an environmental management system. The overall goal of this system is to create conditions for the functioning of the enterprise in order to minimise the negative impact on the natural environment. We have already succeeded, but we are going to continue our journey and invest in technology and knowledge aimed at care for the natural environment.

Since 1989

We create  
**the light**  
**together**





 **LENA**  
LIGHTING

   lenalighting

Lena Lighting S.A.  
ul. Kórnicka 52, 63-000 Środa Wielkopolska  
tel. +48 (61) 28 60 300, e-mail: kontakt@lenalighting.pl

**[www.lenalighting.pl](http://www.lenalighting.pl)**